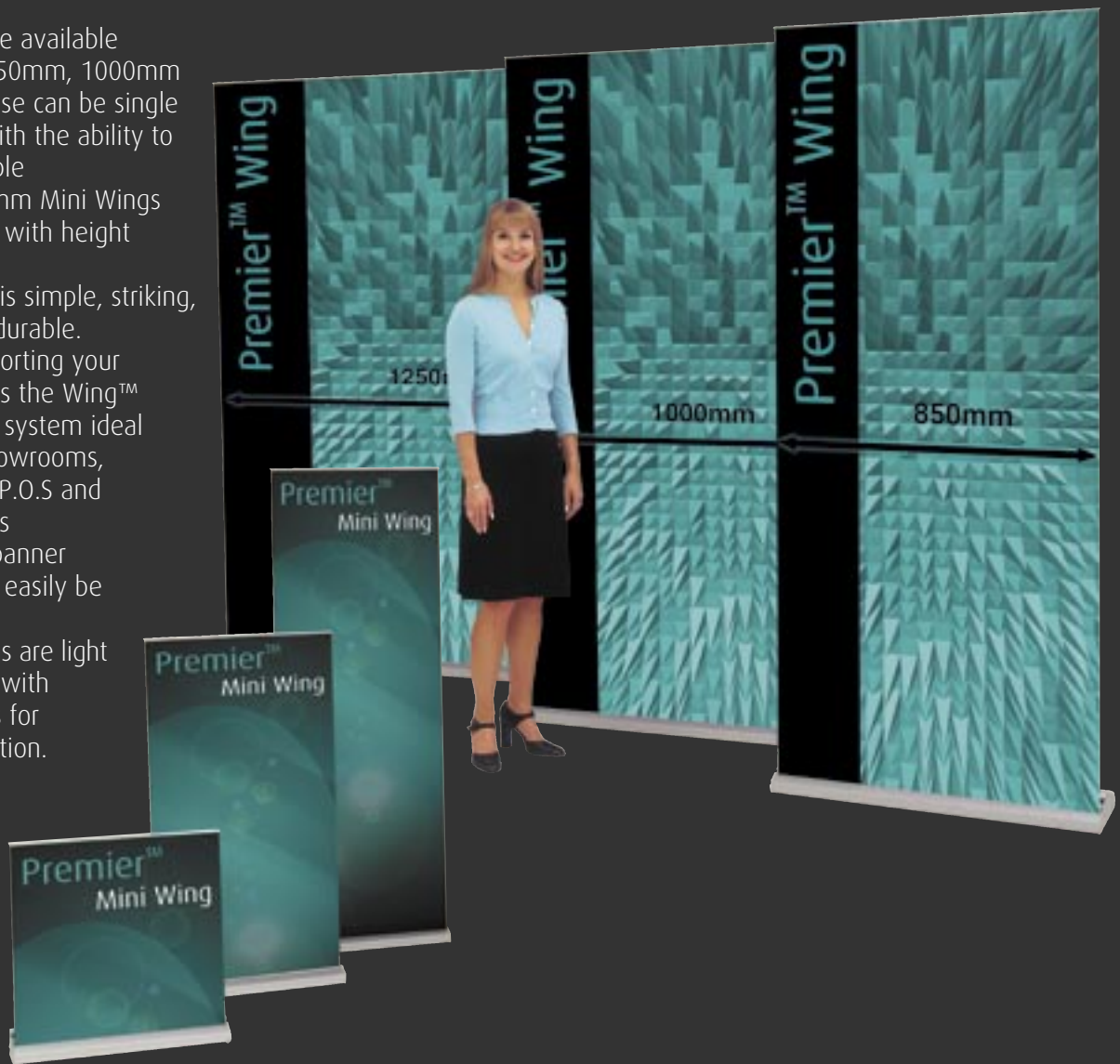


Premier Wing

Approved
suppliers of...



- Standard Wings are available in three widths: 850mm, 1000mm and 1250mm. These can be single or double sided with the ability to be height adjustable
- Single sided, 600mm Mini Wings are available, also with height adjustment
- Premier™ Wing™ is simple, striking, incredibly light & durable. Storing and transporting your graphics is easy, as the Wing™ is a sturdy banner system ideal for exhibitions, showrooms, receptions, retail P.O.S and sales presentations
- To enhance your banner system, lights can easily be attached
- All Premier™ Wings are light weight and come with padded carry bags for ease of transportation.



www.premier-world.com

Your local distributor:

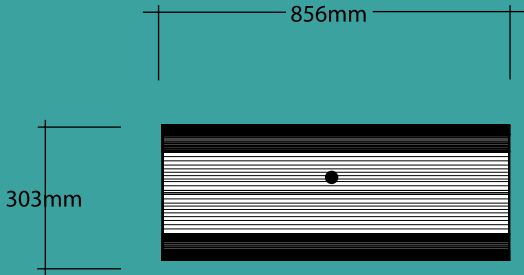


All Premier™ display frames come with a manufacturers 'NO QUESTIONS ASKED LIFETIME PRODUCT GUARANTEE'.

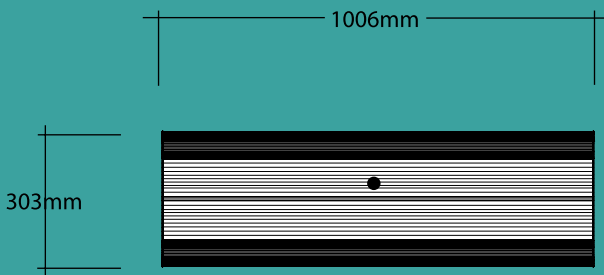
Wing™ Specifications

PLAN VIEW

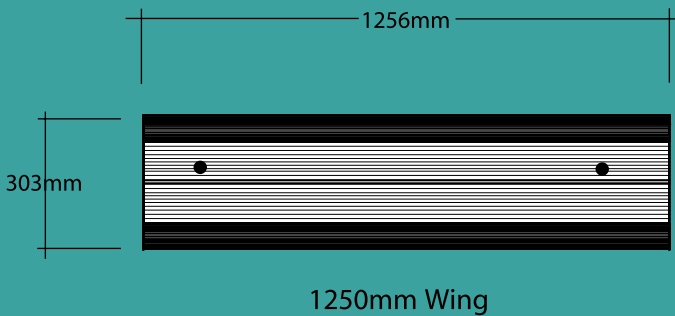
850



1000



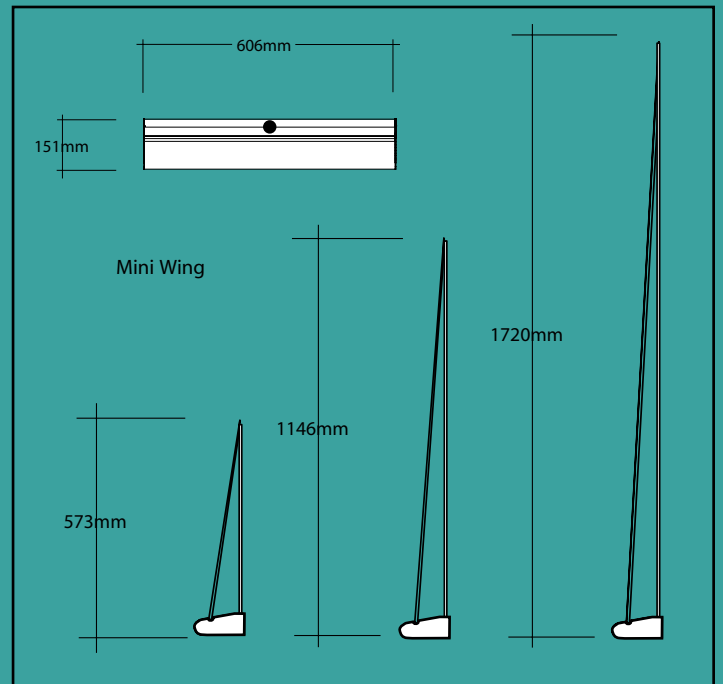
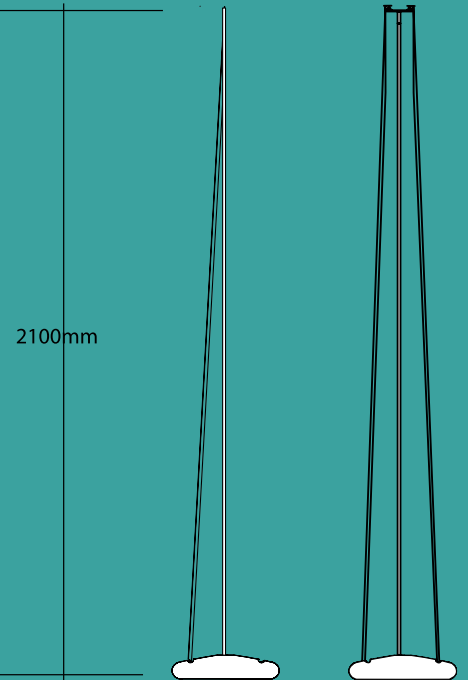
1250



FRONT VIEW



SIDE VIEWS



www.premier-world.com